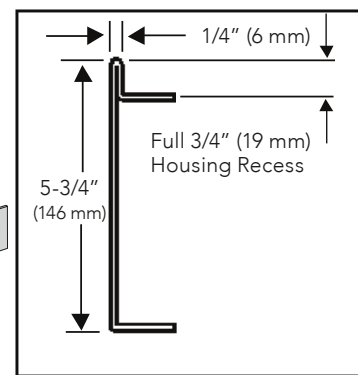
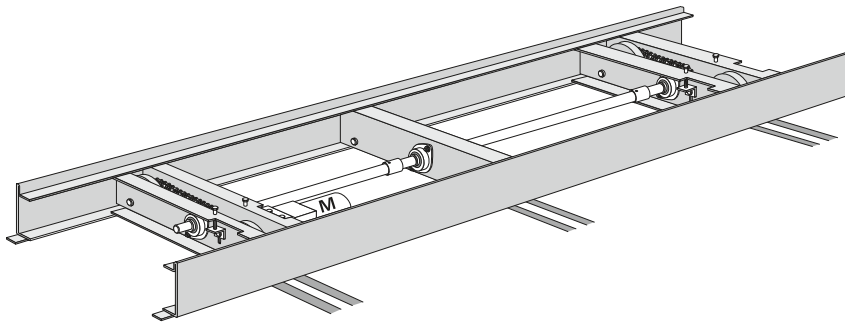


TECH DATA

CARRIAGE SYSTEMS

Standard Profile Welded Steel Carriages

Spacesaver's standard profile steel carriages feature an exclusive structural design with the flexibility to satisfy today's unique storage needs featuring state-of-the-art robotic and fixture welded construction to provide a carriage system that outlasts and outperforms any other mobile carriage system on the market today.



Structural Face Sections

DESIGN AND CAPABILITIES

Standard profile, fixture welded, steel carriages work with exclusive drive systems to minimize pressure and wear on the entire system by eliminating carriage racking and ensuring positive wheel alignment without binding or wheel slippage. They also feature two piece wheel channel sections that fully protect patented wheel assemblies, and a unique structural design with:

1. A full 5-3/4" (146 mm) structural face with a 3/4" (19 mm) hem for maximum steel strength and increased carriage load capacity (minimum capacity 1,000 lbs. per linear carriage foot or 1,488 kg per linear carriage meter).
2. The flexibility to accommodate all types of new and existing storage housings, including those that are custom designed.
3. A 3/4" (19 mm) recess for positive alignment and secure mounting of storage housings so they don't shift or become dislodged from the carriage.
4. Smooth, clean face members that are free of exposed assembly holes and protruding hardware, and powder coat painted for a hard, durable environmentally safe finish, with no offgassing or emissions after curing, that are available in any one of Spacesaver's standard colors.
5. Special face panel supports that ensure accurate alignment and secure attachment of face panels and full support of face panel weight.

CONSTRUCTION

Standard profile steel carriages use robotic and fixture unit welding to join all wheel support channel members to face members. This exclusive welded assembly and increased structural surface area give Spacesaver carriages maximum strength and rigidity, especially when compared to riveted or bolted structures.

This uniframe construction and patented drive system's smooth, balanced wheel rotation keeps

the carriages structurally square and true for consistently precise parallel carriage movement, under even the heaviest of loads.

APPLICATION

Standard profile welded steel carriages are utilized with Spacesaver roller guide bearing, center flange or dual flange guidance systems with either Powered, Mechanical Assist or Manual operation.

TECHNICAL SPECIFICATIONS

STANDARD PROFILE CARRIAGES:

Carriages shall be minimum capacity 1,000 lbs. per linear carriage foot or 1,488 kg per linear carriage meter, robotic and/or fixture unit welded, uniframe assemblies constructed of 12 ga. steel with main supporting structural face sections 5-3/4" (146 mm) high with two reinforcing flanges running the full length of the carriage. Main supporting structural face sections shall provide a 3/4" (19 mm) shelf mounting recess for positive shelving alignment and attachment. Wheel support sections shall be 12 ga. steel and shall be welded between the main support face sections, one per rail assembly. A minimum of two carriage face panel supports shall be provided for each

face panel to fully support its weight and provide positive alignment. Carriage face sections shall provide a smooth clean appearance without any exposed assembly holes or protruding hardware. Carriage shall be powder coat painted from manufacturer's standard colors.

Stationary platforms shall be of the same construction and height as the moveable carriages, and shall be anchored to the rails/floor.

* Specifications subject to change.



Spacesaver Corporation
1450 Janesville Avenue
Fort Atkinson, WI 53538-2798
1-800-492-3434
www.spacesaver.com



KI
1330 Bellevue Street
P.O. Box 8100
Green Bay, WI 54302-8100
1-800-424-2432
www.ki.com

Spacesaver Corporation is a division of KI.

KI and Spacesaver are registered trademarks of Krueger International, Inc.

Spacesaver is a registered trademark of Spacesaver Corporation.

© 2018 KI and Spacesaver Corporation. All Rights Reserved. SSC/DEL WeldedSteelCarriages_0118 _tech